

IP66/69K Protected 15" Stainless Steel Industrial Monitor with P-CAP/5-Wire Resistive Touch



## Features

- IP66/69K Protected Stainless Steel 316 Flat Panel Design
- 15" LCD, P-CAP/5-Wire Resistive, Resolution 1024 x 768
- 12 ~ 24 V DC power input (M12 Connector)
- VGA and USB (M12 Connector), HDMI port
- VESA and Yoke mounting

## Applications

- Food & Beverage Processing Industrial
- Pharmaceutical and Biopharmaceutical Equipment
- Embedded HMI Display System
- Factory Manufacturing Automation
- Chemical, Gas & Oil Critical Environment

## → Packing List

Description
1 x TPM-3615

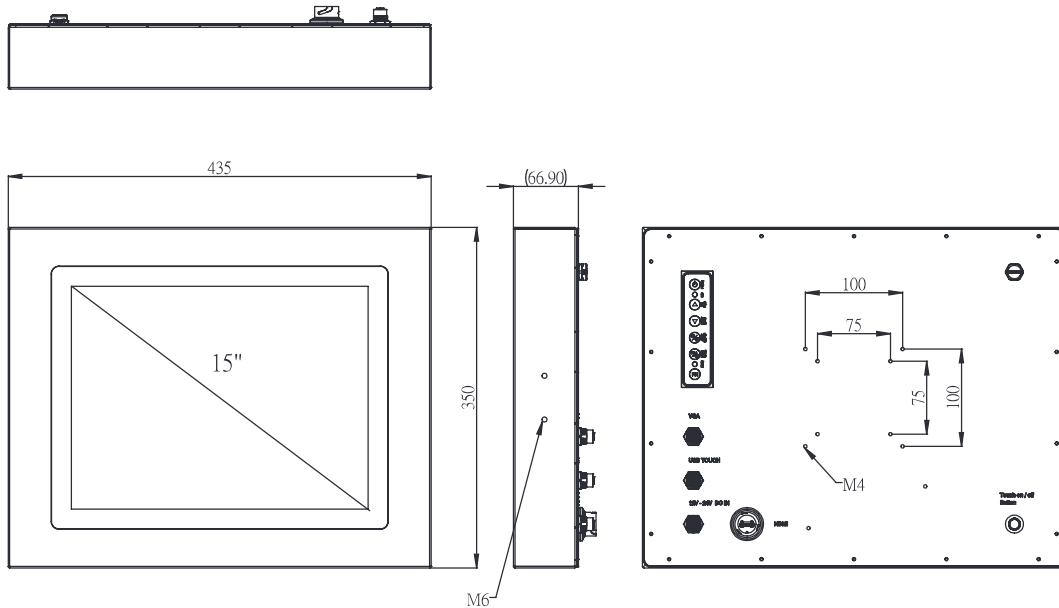
## → Optional Items

Part No.	Description
APW-60M12V-01	12V, 60W, 5A, 5-pin M12 Connector (US)
APW-60M12V-02	12V, 60W, 5A, 5-pin M12 Connector (EU)
AKT-TOU2M12	M12 Connector to Touch Cable, 2m
AKT-VGA2M12-M	M12 Connector to DB15 Male Cable, 2m
AKT-HDMI2IP67	IP67 Connector to HDMI Cable, 2m

## → Ordering Information

Part No.	Description
TPM-3615P-B6A1	15" 4:3 (1024 x 768), 300nits, Stainless Steel 316 Full IP66/69K Protection, with Projected capacitive touch screen, USB interface, 1 VGA, DC 12~24V, M12 connector, 1 HDMI IP67 Connector
TPM-3615R-B6A1	15" 4:3 (1024 x 768), 300nits, Stainless Steel 316 Full IP66/69K Protection, with 5-wire Resistive touch screen, USB interface, 1 VGA, DC 12~24V, M12 connector, 1 HDMI IP67 Connector

## → Dimensions



## → Specifications

Model		TPM-3615P-B6A1	TPM-3615R-B6A1
LCD Panel	Panel Size	15"	
	Aspect Ratio	4:3	
	Resolution	1024 x 768 (XGA)	
	Viewing Angle	80 x 80 (H) x 80 x 80 (V)	
	Brightness	300 (cd/m2)	
	Contrast Ratio	600:1	
	Life Time	50,000 hrs	
Touchscreen	Type	Projected Capacitive Touch	5-Wire Resistive
	Surface Hardness	7 Mohs	3 Mohs
	Transparency	90% (±3%)	80% (±3%)
	On/Off Button	YES	N/A
I/O Interface	Video Interface	1 VGA (M12 Connector), 1 HDMI (IP67 Waterproof Connector)	
	Touch Interface	1 USB (M12 Connector)	
	Audio	N/A	
	Speaker	N/A	
	Others	N/A	
OSD Control	Function Key	6 Keys: Menu, Up, Down, Auto Adjust, Monitor Power on/off, Function Key	
Power	Power Input	12-24 V DC power input, single power source	
	Power Connector	M12 connector	
	Power Consumption	16 W	
Mounting	VESA Mount	75mmx 75mm; 100mm x 100mm	
	Panel Mount	N/A	
	Others	Yoke mount	
Environment	Operating Temperature	-20~60° C (-4~140° F)	
	Storage Temperature	-20~60° C (-4~140° F)	
	Humidity	5~95% @ 40° C, non-condensing	
	Vibration	5-500 Hz, 0.026 G <sup>2</sup> /Hz, 2.16 Grms, X, Y, Z, 1 hour per axis	
	Shock	Full System IP66/69K Protection	
General	Certification	CE/FCC	
	Material, Surface Finish	Stainless Steel 316, Brush Finished	
	True Flat	Yes	
	Ingress Protection	Full System IP66 Protection	
	Dimensions (W x H x D)	435 X 350 X 66.9 (17.13" X 13.78" X 2.63" )	
	Net Weight	6.71 kg (14.7 lb)	
	Operating System	Windows 7/8.1/10, WES7, WE8S, Linux Fedora, Ubuntu	