

17" Fanless Multi-touch Panel PC with Intel® Celeron® J1900 Processor



Features

- 17" TFT SXGA LED Panel with Projected Capacitive Touch Display
- Embedded Intel® Celeron® J1900 2.0 GHz Processor
- System Memory up to 8 GB DDR3L 1333 SDRAM
- Two-finger Touch Control while Wearing Gloves
- Internal SATA 2.5" HDD and mSATA Socket
- Panel and VESA Mounting

Applications

- Human Machine Interface (HMI)
- Factory / Manufacturing Automation
- ATM / Self-service / Kiosk Applications
- Vending Machine / Ticketing Machine

→ Packing List

| Description |
|---|
| 1 x PPC-172 |
| 1 x Power Adapter (AC-to-DC, 12 V @ 5 A, 60 W) |
| 6 x Panel Mounting Screws |

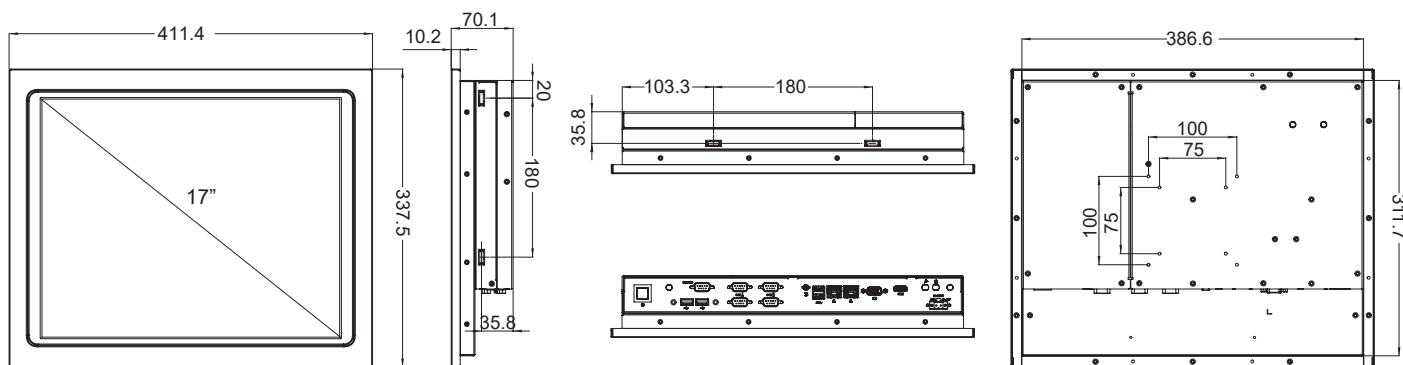
→ Optional Items

| Part No. | Description |
|-------------|---------------------------------------|
| ACS-PS-US | Power Cable 3-pin, 180 cm, USA Type |
| ACS-PS-EU | Power Cable 3-pin, 180 cm, Euro Type |
| ACS-PS-CN | Power Cable 3-pin, 180 cm, China Type |
| ACS-100-STD | VESA Table Stand |

→ Ordering Information

| Part No. | Description |
|-------------|--|
| PPC-172P-A1 | 17" Fanless Projected Capacitive Touch Panel PC with Intel® Celeron® J1900 2.0 GHz Processor |
| PPC-172R-A1 | 17" Fanless 5-wire Resistive Touch Panel PC with Intel® Celeron® J1900 2.0 GHz Processor |

→ Dimensions



→ Specifications

Cut out: 388.6 * 313.7mm

| Model | | PPC-172P | PPC-172R |
|------------------|-----------------------------|---|--------------------|
| Processor System | CPU | Intel® Celeron® Processor J1900 | |
| | Frequency | Quad-Core up to 2.0 GHz | |
| | L2 Cache | 2 MB | |
| | System Chipset | N/A | |
| | BIOS | UEFI | |
| Memory | Technology | DDR3L 1333 MHz SDRAM | |
| | Max. Capacity | 8 GB | |
| | Socket | 1 (204-pin SO-DIMM) | |
| Display | Panel Size | 17" LED Panel | |
| | Resolution | 1280 x 1024 (SXGA) | |
| | Viewing Angle | 80 x 80 (H) x 60 x 80 (V) | |
| | Brightness | 350 (cd/m ²) | |
| | Color Support | 16.2M | |
| | Contrast Ratio | 800:1 | |
| | Response Time | 30 (msec) | |
| | VGA | Up to 1920 x 1200 | |
| | HDMI | HDMI 1.4a up to 1920 x 1200 | |
| | Dual Display | LCD + VGA or LCD + HDMI | |
| Touchscreen | Touchscreen Type | Projected Capacitive | 5-Wire Resistive |
| | Surface Hardness | 7 Mohs | 3 Mohs |
| | Durability | - | 36 millions times |
| | Transparency | 90% (±3%) | 80% (±3%) |
| I/O Interface | USB | 2 USB 3.0, 2 USB 2.0 | |
| | Serial Port | 4 COM (3 RS-232, 1 RS-232/422/485) | |
| | Digital I/O | 8-pin Digital I/O (DB-9 connector) | |
| | Expansion | 2 Mini PCIe (1 full-size Mini PCIe or mSATA, selected by jumper setting; 1 half-size Mini PCIe) | |
| Ethernet | Controller | Dual GbE, 10/100/1000 Mbps (Realtek RTL8111G-CG) | |
| Audio | Chipset | Realtek ALC662 High Definition Audio (HD) | |
| | Connector | Line out | |
| Storage | mSATA | Supports either mSATA or full-size Mini PCIe, selected by jumper setting | |
| | SATA II | 1 Internal 2.5" HDD/SSD | |
| Power | Power Supply Voltage | Supports 9-36 V DC input (Phoenix Connector) | |
| | Power Adaptor | AC-to-DC, 12 V @ 5 A, 60 W | |
| | Power Consumption (Typical) | 2.5 A @ 12 V (30 W) | |
| | Power Consumption (Max.) | 3 A @ 12 V (36 W) | |
| | Battery | Lithium 3 V / 210 mA | |
| Environment | Operating Temperature | 0~50° C (32~122° F) w/ 2.5" SSD | |
| | Storage Temperature | -40~85° C (-40~185° F) | |
| | Humidity | 5~95% @ 40° C, non-condensing | |
| | Vibration | 5-500 Hz, 0.026 G ² /Hz, 2.16 Grms, X, Y, Z, 1 hour per axis | |
| | Certification | CE, FCC Class A | |
| General | Ingress Protection | IP54 | |
| | Dimensions (L x W x H) | 411.4 x 337.5 x 70.1 mm (16.2" x 13.29" x 2.76") | |
| | Weight | 6.58 kg (14.48 lb) | 6.50 kg (14.50 lb) |
| | Operating System | Windows 7/8.1/10, WES7-E/P, WE8S, Ubuntu 14.04 | |